

# Surface Mount Phase Shifter

180° Voltage Variable, 700 to 1000 MHz



## JSPHS-1000



CASE STYLE: BK276  
PRICE: \$ 32.95 ea.  
QTY.: (1-9)

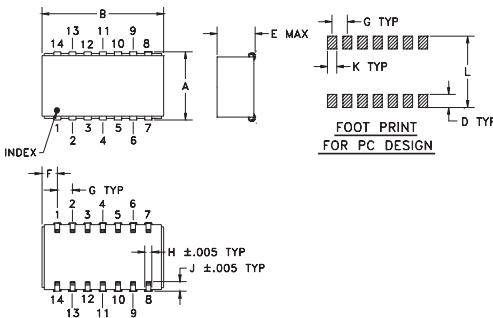
### Maximum Ratings

Operating Temperature	-20°C to 85°C
Storage Temperature	-20°C to 85°C
RF Input Power	0 dBm max.
Control Voltage	28V

### Pin Configuration

IN	1
OUT	7
BIAS	4,6
GROUND	all other pins

### Outline Drawing



### Outline Dimensions (inch/mm)

A	B	C	D	E	F	G	H
.470	.803	—	.100	.250	.102	.100	.047
11.94	20.40	—	2.54	6.35	2.59	2.54	1.19
J	K	L	wt.				
.065	.065	.490	grams				
1.65	1.65	12.45	3.0				

### Features

- good VSWR, 1.2:1 typ.
- low insertion loss, 1.2 dB typ.
- solder-plated J-leads for excellent solderability and strain relief

### Applications

- cellular

### Electrical Specifications

PHASE RANGE (Degrees)	FREQUENCY RANGE (MHz)	INSERTION LOSS (dB)		CONTROL VOLTAGE (V)	CONTROL BANDWIDTH (KHz)	VSWR (:1)	
		Typ.	Max.			Typ.	Max.
180	700-850	1.2	2.3	0-15	DC-50	1.2	2.6
160	850-1000	1.2	2.0	0-15	DC-50	1.2	2.0

### Typical Performance Data

Control Voltage (V)	Phase Shift (degrees)			VSWR (:1)			Insertion Loss (dB)		
	700 MHz	850 MHz	1000 MHz	700 MHz	850 MHz	1000 MHz	700 MHz	850 MHz	1000 MHz
0.00	0.00	0.00	0.00	1.42	1.13	1.52	1.48	1.63	1.54
2.00	25.08	16.78	11.21	1.55	1.13	1.43	1.63	1.63	1.52
4.00	64.66	44.54	30.16	1.69	1.21	1.29	1.74	1.63	1.46
6.00	141.20	119.49	89.61	1.53	1.40	1.21	1.37	1.54	1.40
8.00	171.07	160.75	134.12	1.37	1.30	1.37	1.15	1.46	1.36
10.00	182.16	177.41	155.54	1.31	1.23	1.34	1.09	1.44	1.29
12.00	188.09	186.53	168.05	1.28	1.19	1.29	1.06	1.42	1.23
13.00	190.18	189.72	172.58	1.27	1.18	1.27	1.05	1.42	1.20
14.00	191.91	192.37	176.43	1.27	1.17	1.25	1.04	1.42	1.19
15.00	193.41	194.57	179.67	1.26	1.16	1.23	1.03	1.42	1.17

